

Arduino USB Nano V3.0 med CH340 driver



Produktkode: 106

Tilgjengelighet: Opp til 1 mnd leveringstid

Custom Field 5 (Location): M3

Pris: kr. 95,00

Short Description

MINI USB Nano V3.0 ATmega328P CH340G 5V 16M Micro-controller board for Arduino

Beskrivelse

MINI USB Nano V3.0 ATmega328P CH340G 5V 16M Micro-controller board for Arduino

Product Description

CH340G Replace FT232RL

Operating Voltage?logic level??5V

8 analog inputs ports:A0 ~ A7

14 Digital input / output ports:TX,RX,D2 ~ D13

6 PWM ports:D3, D5, D6, D9, D10, D11

1 pairs of TTL level serial transceiver ports RX / TX

Using Atmel Atmega328P-AU MCU

There is bootloader installed in it

Support USB download and Power

Support for external 5V ~ 12V DC power supply

Support power supply by 9V battery

Support ISP download

CH340G Driver Download link : <http://www.wch-ic.com/download/list.asp?id=126>

<http://www.5v.ru/ch340g.htm>

IDE of arduino Download link : <http://arduino.cc/en/Main/Software>

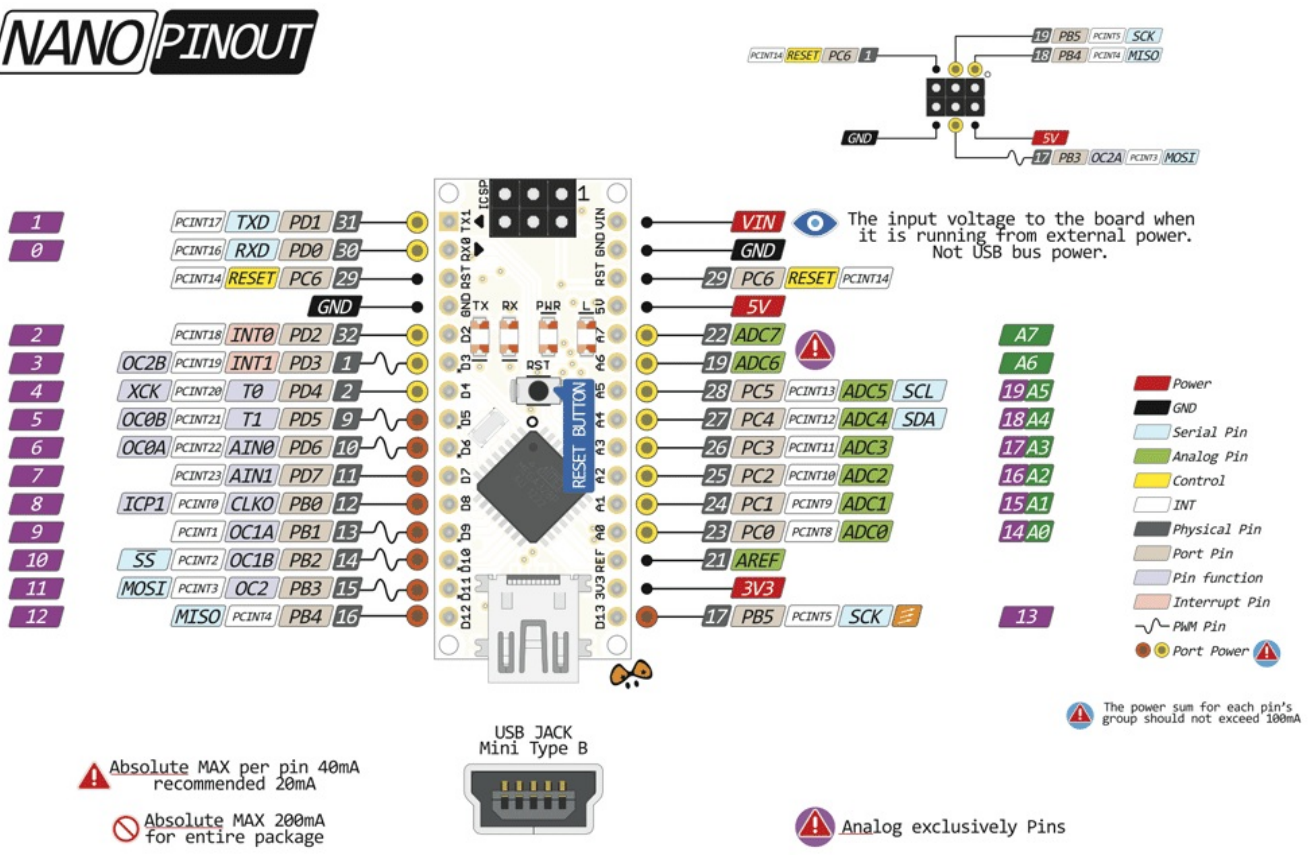
[Drivere](#)

Opplastingsproblemer

Dersom programskisser ikka lar seg laste opp i NANO, kan det fungere når man velger Processor "ATMega328P" i Tools-menyen, og deretter 'ATMega382 (Old Bootloader).

Pinout

NANO PINOUT



Product Gallery

