

# Distribusjonskort for strøm



**Produktkode: 510**  
**Tilgjengelighet: 1**

**Pris: kr. 55,00**

## Short Description

CC3D NAZE32 F3 Power Distribution Board PDB W/ Filter BEC Output 5V 12V 3A  
RC LN

## Beskrivelse

### Features:

BEC output 5V12V3A band filter  
Latest UBEC, LC Filter  
Integrated filter circuit boards, more stable,make FPV further and clearer  
Compatible with CC3D/Naze32/F3 flight controller

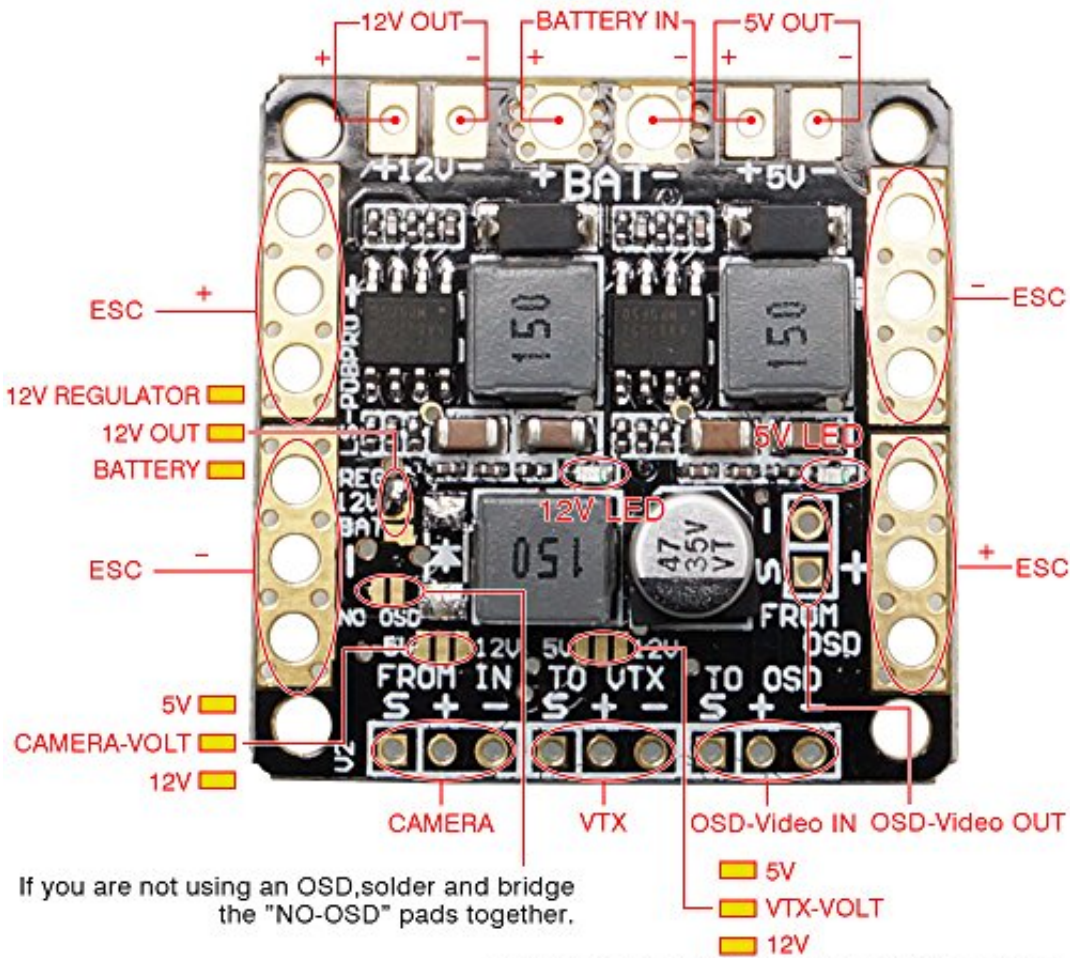
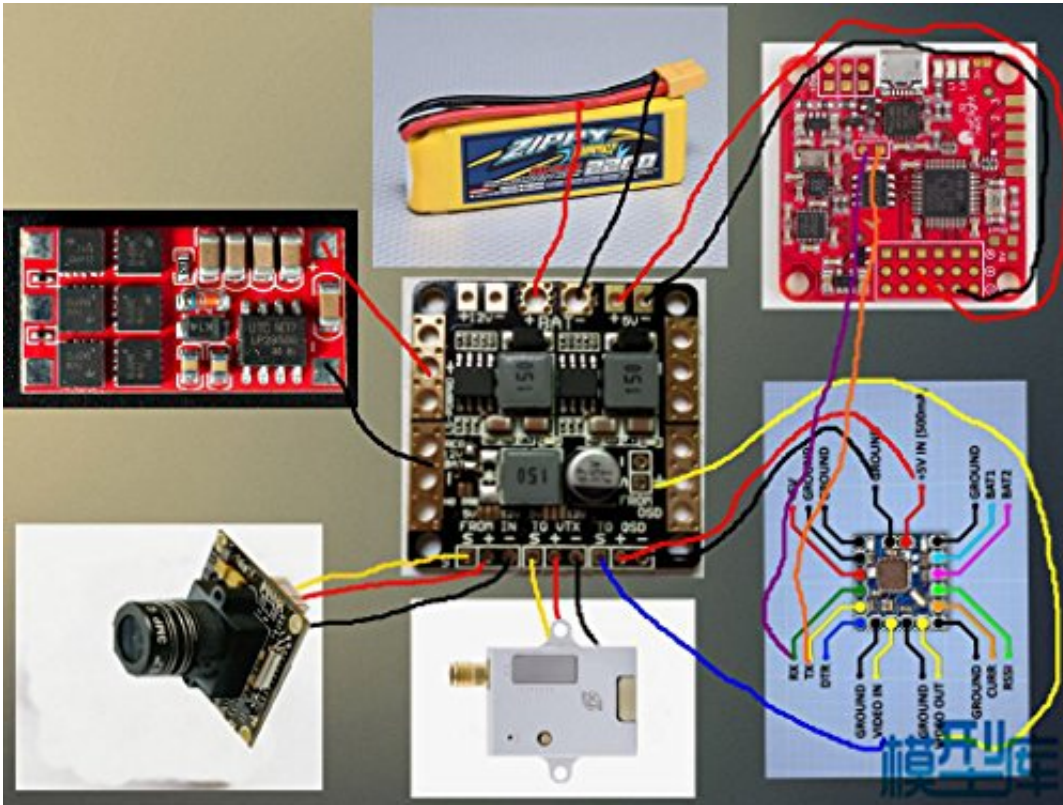
### Specifications:

Item Name: PCB with Filter BEC  
BEC Output: 5V 12V  
Input Voltage: 2-6S  
MAX.: 3A  
Size: 36 x 36 x 7mm/1.4 x 1.4 x 0.3 inch  
Net Weight: 6g

### Package Included:

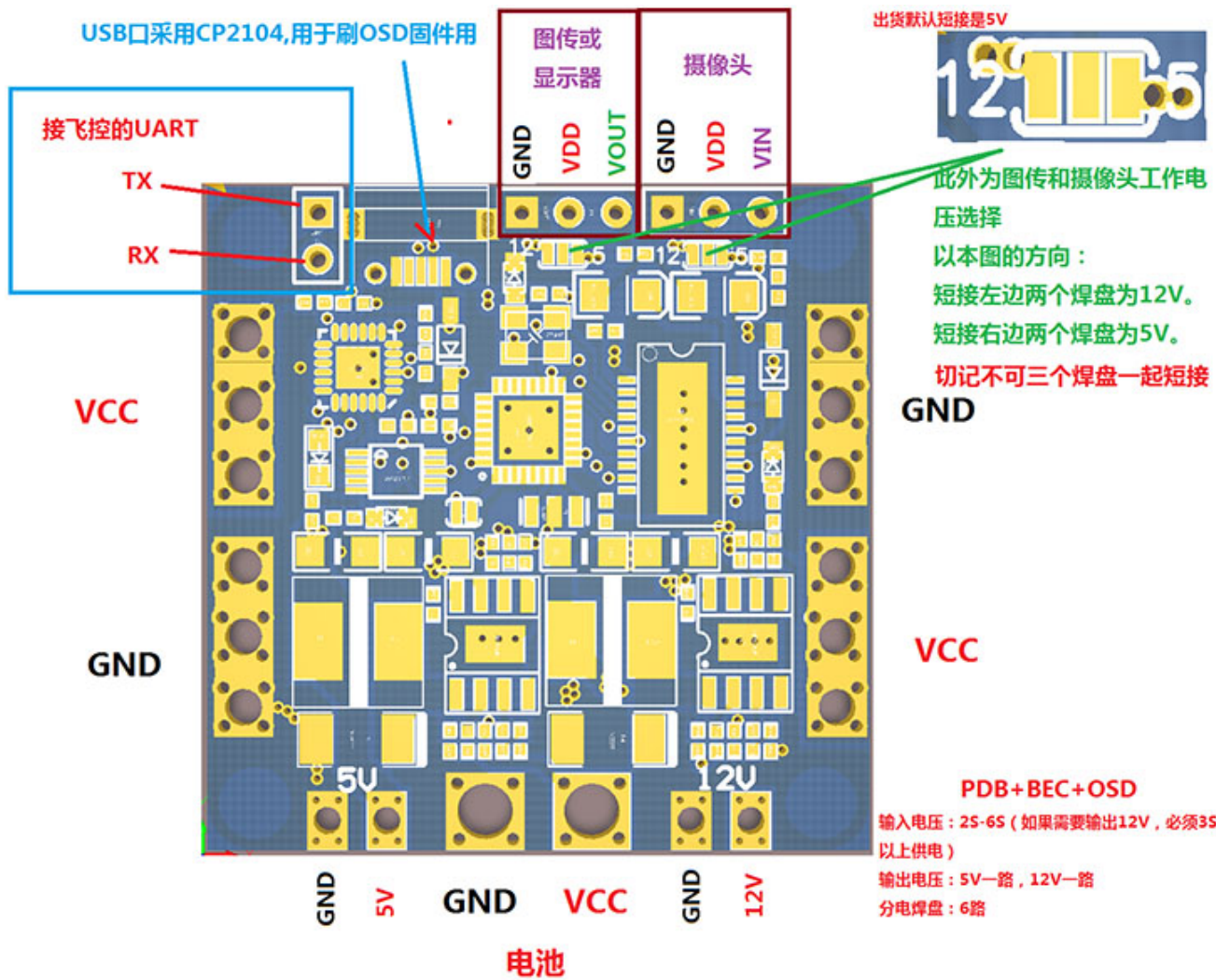
1 x PDB  
(Retail Package is NOT included)

## Pinout






If you are not using an OSD, solder and bridge the "NO-OSD" pads together.

Solder the appropriate pads to supply 5v or 12v to the CCD board camera and video transmitter.



LS-PDBPRO V2

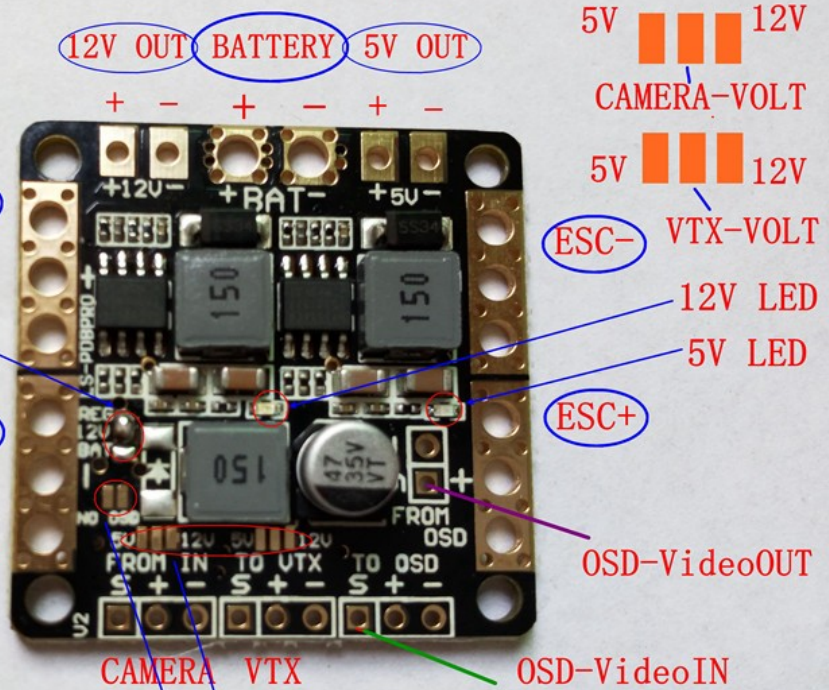
Mini power distribution board pro  
With lc filter and 5v/12v out

-  12V REGULATOR
-  12V OUT
-  BATTERY

• if you are running 3s you have the option of feeding the 12v output direct from the battery or through the regulator

Specifications

- 2oz copper PCB
- Size: 36mm x 36mm
- 30.5mm x 30.5mm mounting holes.
- Integrated LC filter
- 5v step down regulator - 2A
- 12v step down regulator - 2A
- 70A constant, 110A burst
- 5/12v switch for CCD board camera
- 5/12v switch for video transmitter
- Filtered main battery voltage for OSD
- Bypass switch for no OSD FPV setups
- Shunt for OSD video in/out



- If you are not using an OSD, solder and bridge the "NO-OSD" pads together.
- Solder the appropriate pads to supply 5v or 12v to the CCD board camera and video transmitter.

Product Gallery

