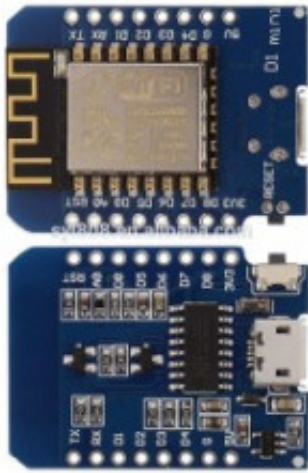


D1 mini WIFI Development Board ESP8266



Produktkode: 406
Tilgjengelighet: Opp til 1 mnd leveringstid

Pris: kr. 60,00

Short Description

D1 Mini NodeMcu 4M bytes Lua WIFI Development Board ESP8266 by WeMos

Beskrivelse

Product Descriptions

This is D1 mini, it is a mini WIFI board based on ESP-8266EX.

11 digital input/output pins, all pins have interrupt/pwm/I2C/one-wire supported(except D0)

1 analog input(3.3V max input)

a Micro USB connection

Compatible with?[check here](#)

Compatible with ?[check here](#)

How to get started in Arduino:

Setup driver

Before you use miniD1 boards, you need setup CH340g driver.

Python

On Windows you need install Python 2.7.10.

On Linux & MAC OSX, you don't need install it, comes preinstalled with OS.

Installing Hardware package

There is two ways to install hardware package, Boards Manager or GIT

Installing with Boards Manager

Starting with 1.6.4, Arduino allows installation of third-party platform packages using

Boards Manager. We have packages available for Windows, Mac OS, and Linux (32 and 64 bit).

. Install Arduino 1.6.7 from the Arduino website.

. Start Arduino and open Preferences window.

.Enter http://arduino.esp8266.com/stable/package_esp8266com_index.json

into Additional Boards Manager URLs field. You can add multiple URLs, separating them

with commas.

. Open Tools?Board:xxx?Boards Manager and install esp8266 by ESP8266

Community (and don't forget to select your ESP8266 board from Tools > Board menu after installation).

Installing with GIT (Recommend):

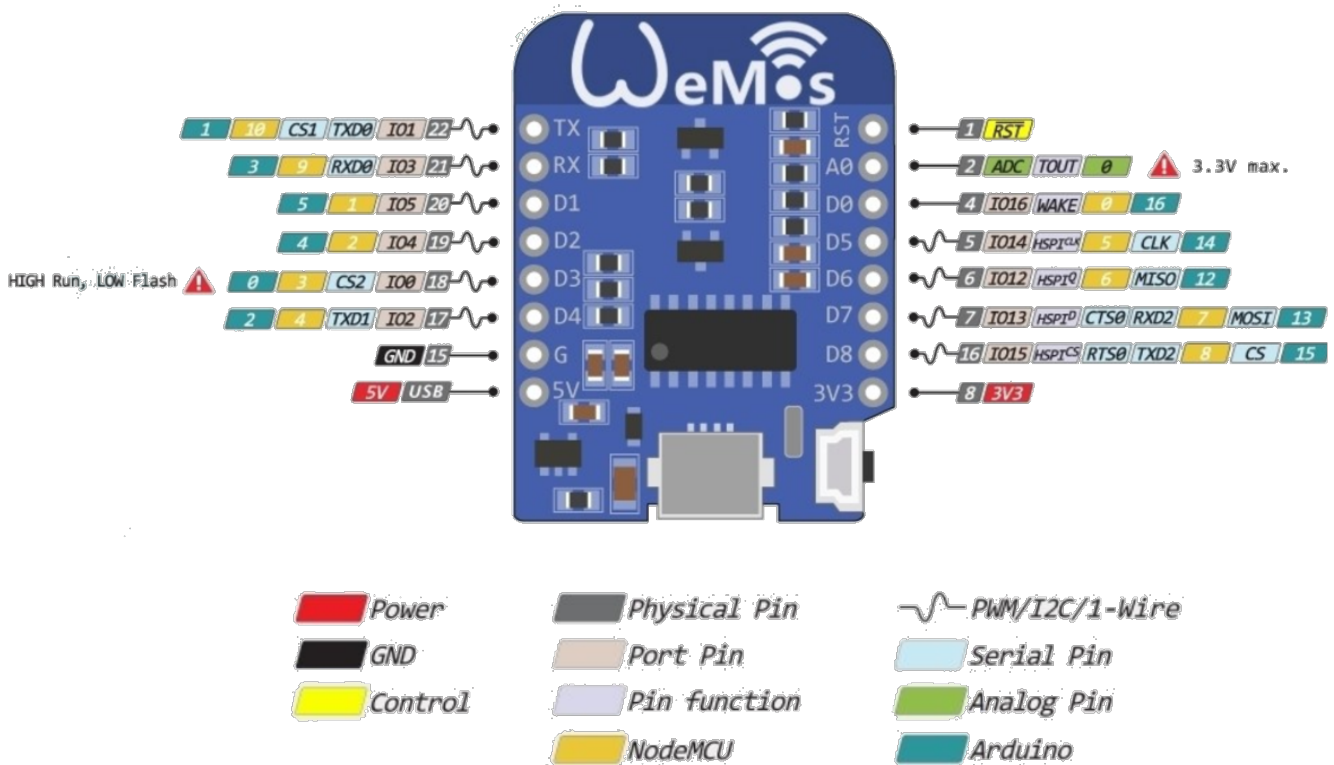
We recommend using GIT to install Hardware package,

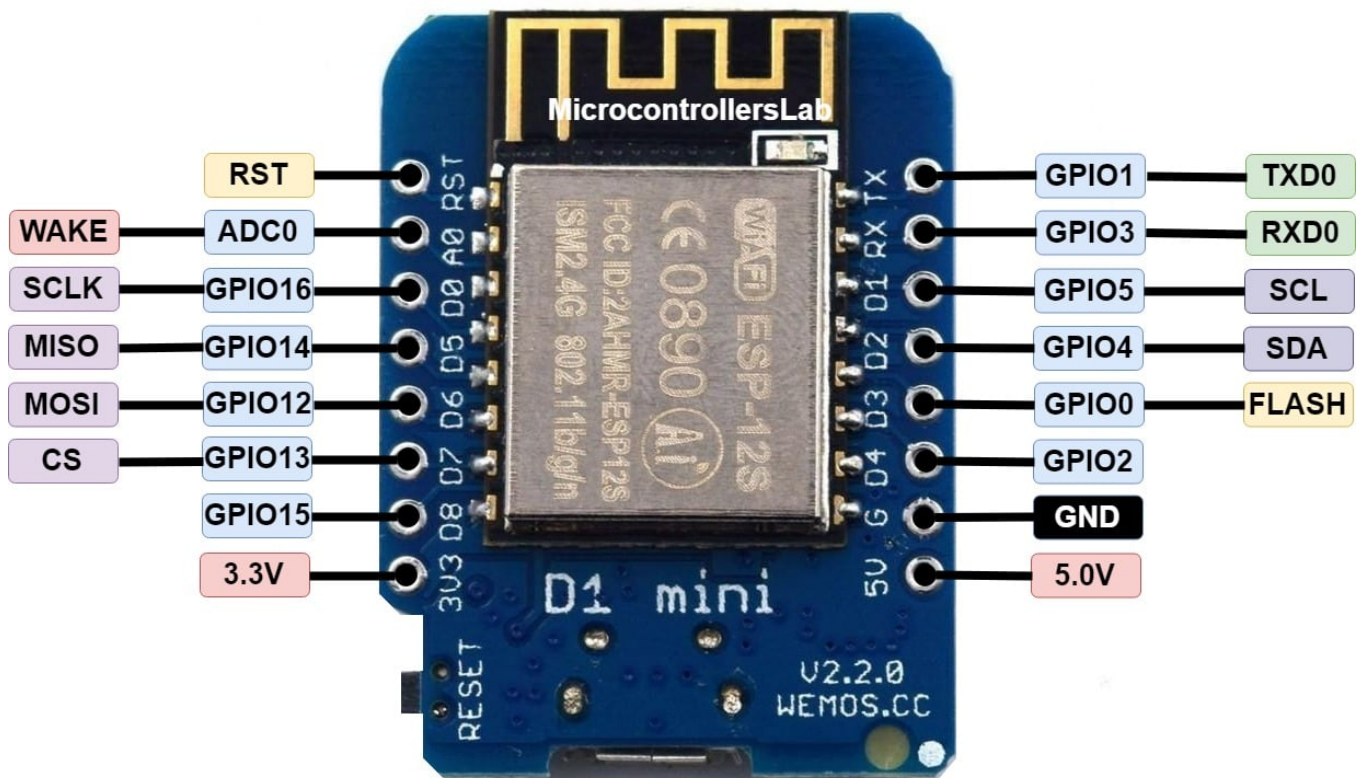
you can always get the latest version of it.

Package Included

1pcs D1 Mini NodeMcu 4M bytes Lua WIFI Development Board ESP8266 by WeMos

Pinout





Info

[ESP8266 kan gå i sovemodus](#)