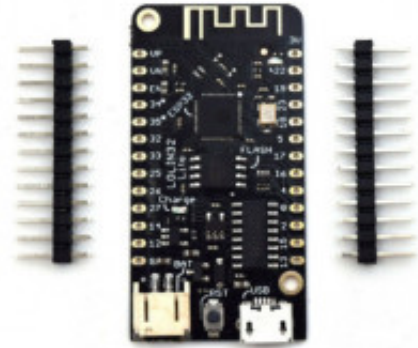


WEMOS LOLIN32 Lite V1.0.0



Produktkode: 20020

Tilgjengelighet: 3

Custom Field 5 (Location): N 6

Pris: kr. 78,00

Short Description

WEMOS LOLIN32 Lite V1.0.0 Wifi & Bluetooth Card ESP32 Rev1 MicroPython 4MB FLASH

Beskrivelse

Description:

Lastest ESP32 Version: REV1

WIFI

Bluetooth

4 MB of Flash

Lithium battery interface, 500mA Max charging current

Firmware defect: Lastest MicroPython firmware

Maximum serial transmission speed: 256000bps

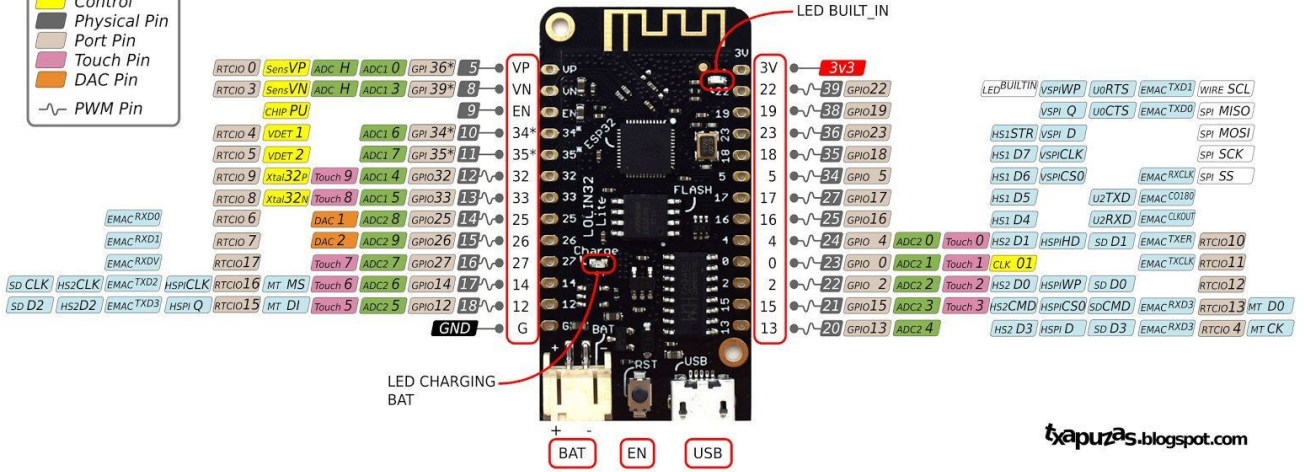
Package Included:

1PC*WEMOS LOLIN32 Lite V1.0.0 wifi&bluetooth board based

Pinout

Lolin32 Lite pinout

- Power
- GND
- Serial Pin
- Analog Pin
- Control
- Physical Pin
- Port Pin
- Touch Pin
- DAC Pin
- PWM Pin



tyapuzas.blogspot.com

Product Gallery

