

Pixhawk PX4 2.4.8 Flight Controller

Produktkode: 2000

Tilgjengelighet: Opp til 1 mnd leveringstid

Pris: kr. 650,00



Short Description

Pixhawk PX4 2.4.8 Flight Controller 32 Bit ARM PX4FMU PX4IO Combo for Quadcopter

Beskrivelse

[Beskrivelse Ardupilot](#)

[Tilkoblinger](#)

Introductions:

The Pixhawk PX4 2.4.8 Flight Controller 32 Bit ARM PX4FMU PX4IO Combo for Multicopters integrates PX4FMU and PX4IO. Pixhawk is with new 32-bit chip and sensor technology. It utilizes advanced 32-bit CortexM4 ARM high performance processor and can run RTOS NuttX real time operating system. With integrated backup power supply and failure backup controller, the main controller can be safely switched to

backup control. It also provides redundant power input and fault transfer function.

Features:

1. Advanced 32 bit CortexM4 ARM high performance processor, can run RTOS NuttX real time operating system;
2. 14* PWM/ actuator output;
3. Bus interface (UART, I2C, SPI, CAN);
4. Integrated backup power supply and failure backup controller, the main controller can be safely switched to backup control;
5. Provide automatic and manual mode;
6. Provide redundant power input and fault transfer function;
7. Color LED lamp;
8. Multi tone buzzer interface;
9. Micro SD to record flight data;

Processor:

1. 32 bit 2M flash memory STM32F427 Cortex M4, with hardware floating point processing unit
2. Main frequency: 256K, 168MHZ RAM
3. 32 bit STM32F103 backup co processor

Sensor:

1. L3GD20 3 axis digital 16 bit gyroscope
2. LSM303D 3 axis 14 bit accelerometer /magnetometer
3. MPU6000 6 axis accelerometer / magnetometer
4. MS5611 high precision barometer

Interface:

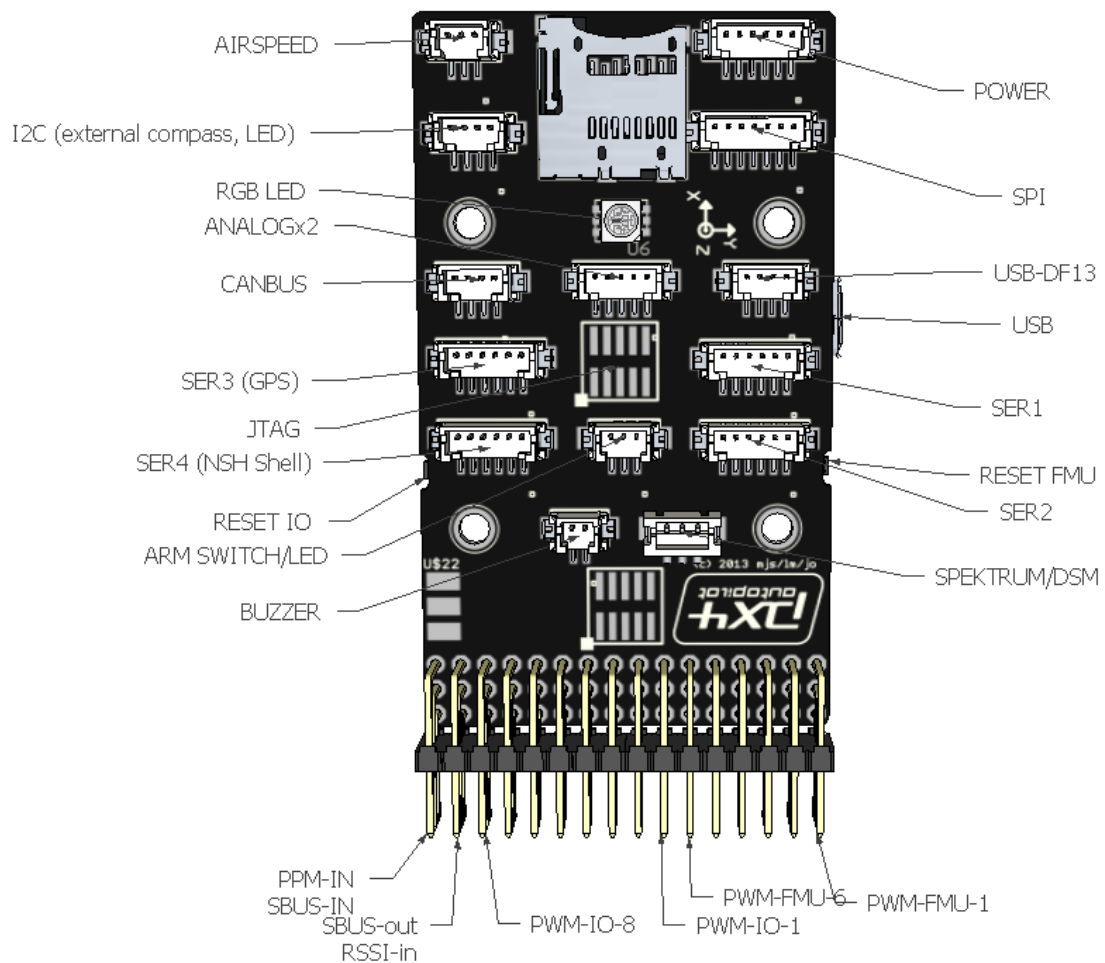
1. 5* UART, 1*compatible high voltage, 2*hardware flow control
2. 2*CAN
3. Spektrum DSM/DSM2/DSM-X satellite receiver compatible input
4. Futaba SBUS compatible input and output
5. PPM signal input
6. RSSI (PWM or voltage) input
7. I2C
8. SPI
9. 3.3 and 6.6VADC input

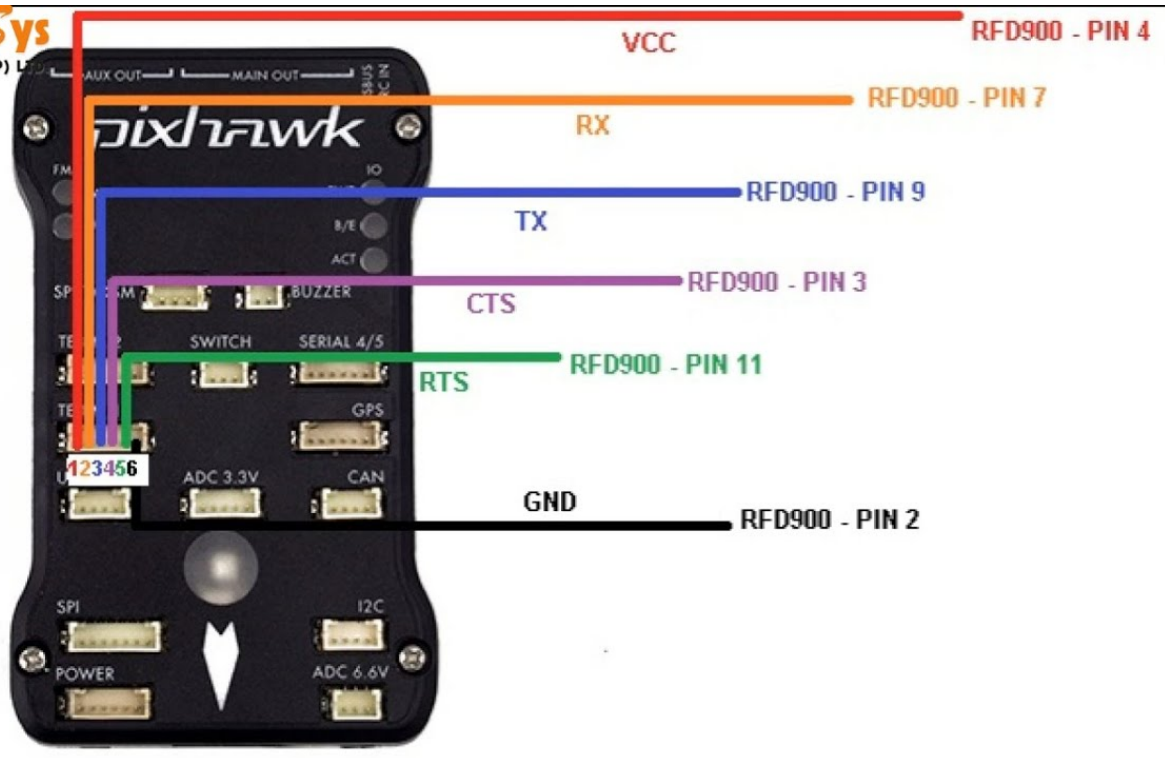
10.External USB MICRO interface

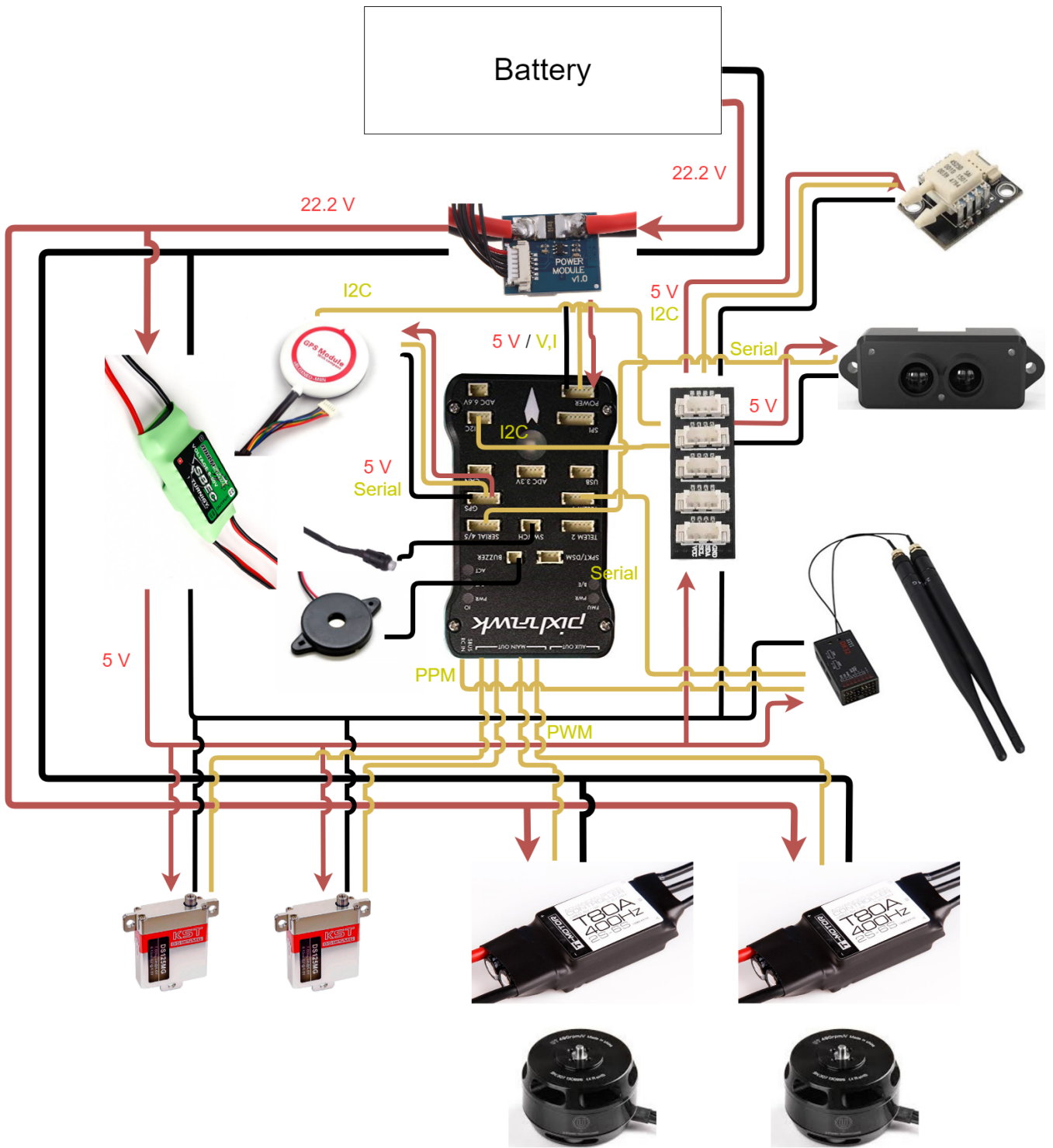
Package Includes:

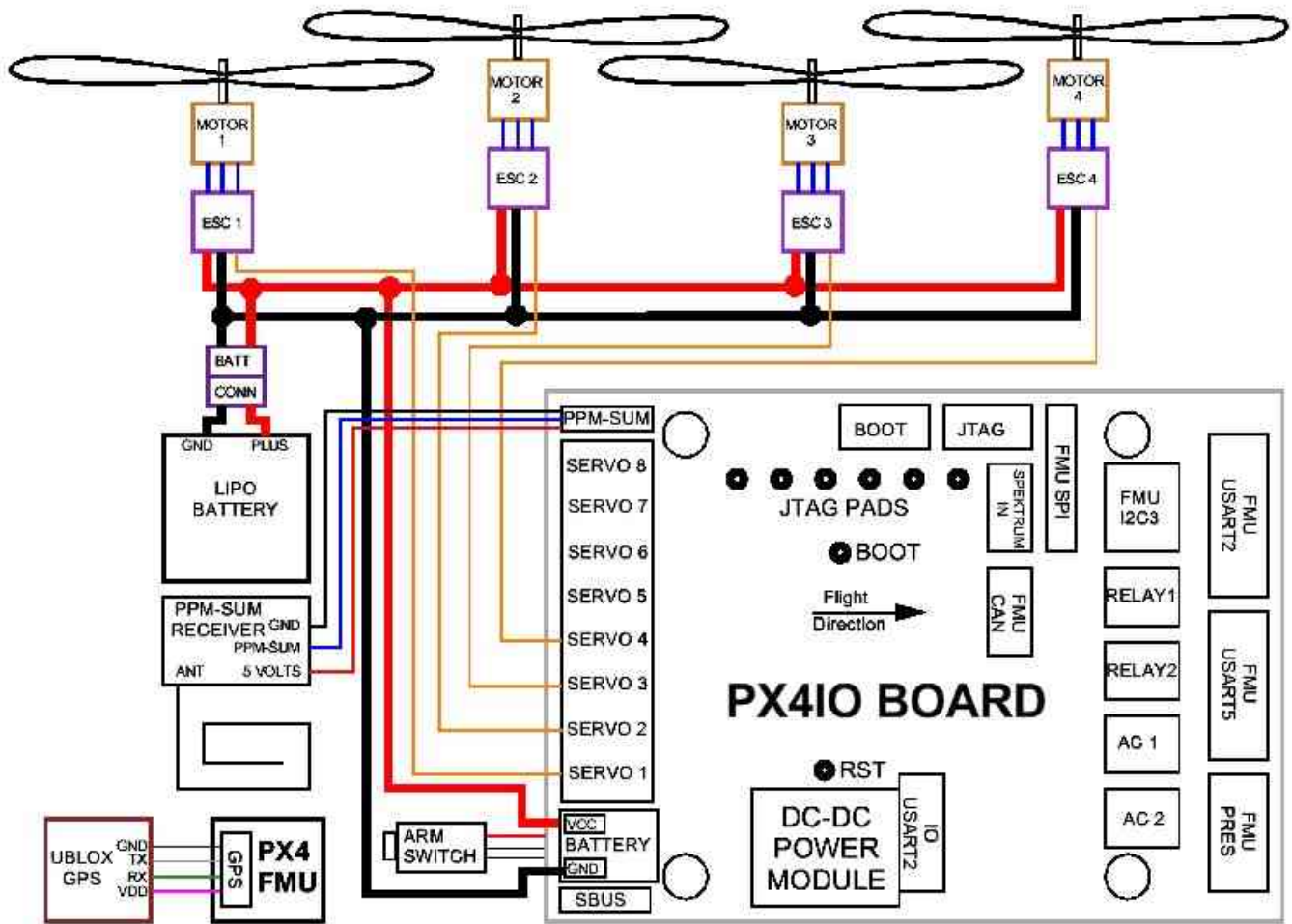
- 1 x 2.4.8 Pixhawk Main Control
- 1 x Safety Switch
- 1 x Flight Control Shell
- 1 x Buzzer
- 1 x 6pin to 6pin Line
- 1 x 4pin to 4pin Line
- 1 x 3pin DuPont Line

Info









Product Gallery

