

X9C103P DIGITAL POT 10K

Produktkode: 707

Tilgjengelighet: 6

Custom Field 5 (Location): AB 5



Pris: kr. 25,00

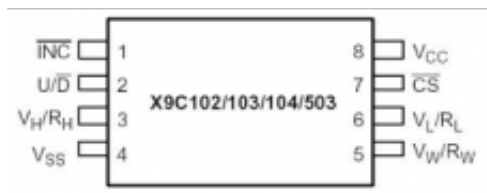
Short Description

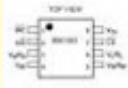
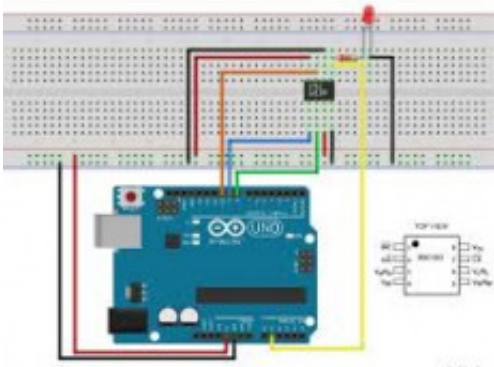
X9C103P Intersil IC DIGITAL POT 10K 100TP 8DIP

Beskrivelse

[Datamanual](#)

Product Gallery





fritzing