

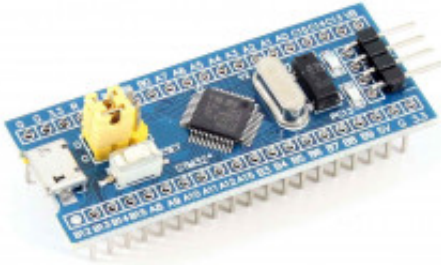
ARM STM32 Arduino IDE kompatibel

Produktkode: 776

Tilgjengelighet: 3

Custom Field 5 (Location): M2

Pris: kr. 140,00



Short Description

STM32F103C8T6 Board Cortex-M3 3,3V Arduino IDE kompatibel ARM STM32 ARM 32

Beskrivelse

Skriv http://dan.drown.org/stm32duino/package_STM32duino_index.json i File/Preferences/Additional Boards Manager URLs: (Fil/Instillinger/Flere 'Boards Manager' URLer:). Oppdater (Greit) og velg deretter menyvalget Tools/boards/Board Manager (Vertøy/Kort/Kort Administrasjon) og søk etter SMT32.

Driver:USB-SERIAL CH340

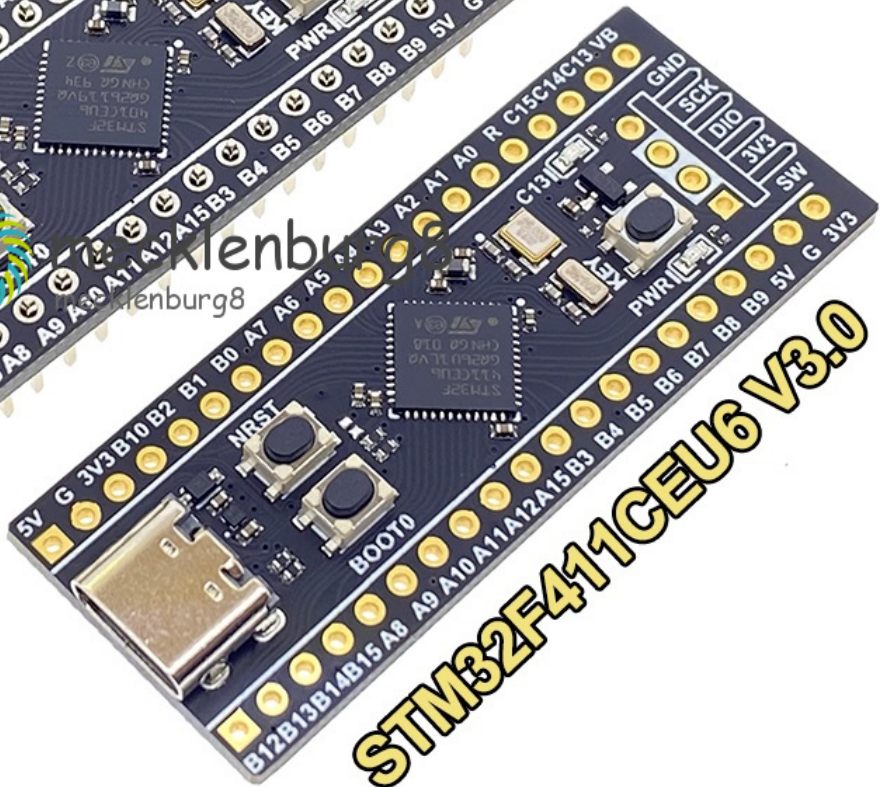
Se

<https://create.arduino.cc/projecthub/akarsh98/using-a-stm32-like-an-arduino-tutorial-stm32f103c8-1073cb>

STM32F401CEU6 V3.0



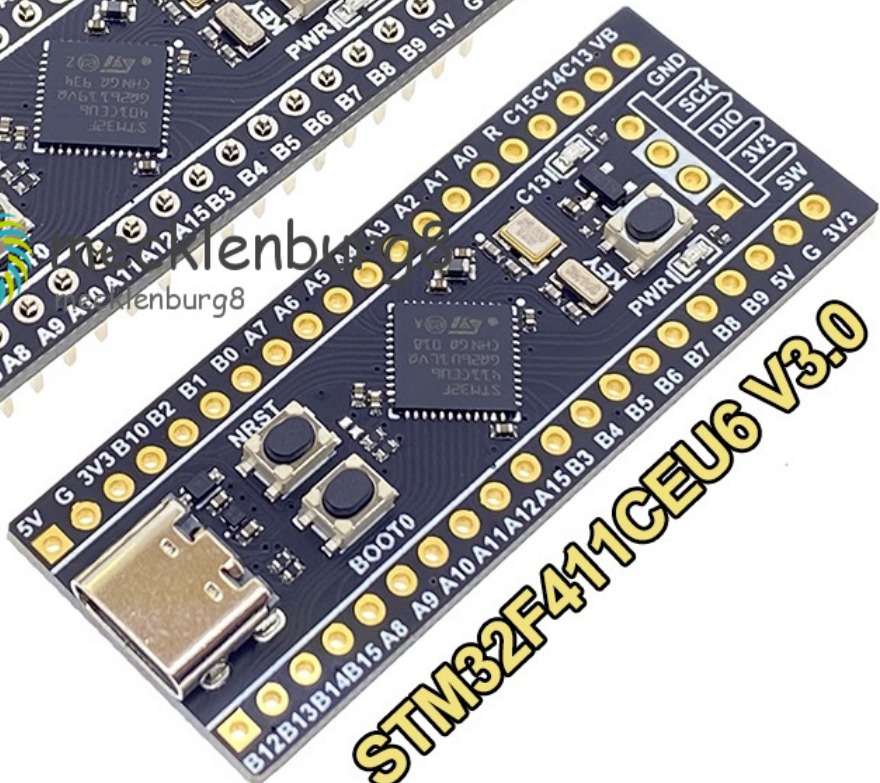
STM32F411CEU6 V3.0



STM32F401CEU6 V3.0



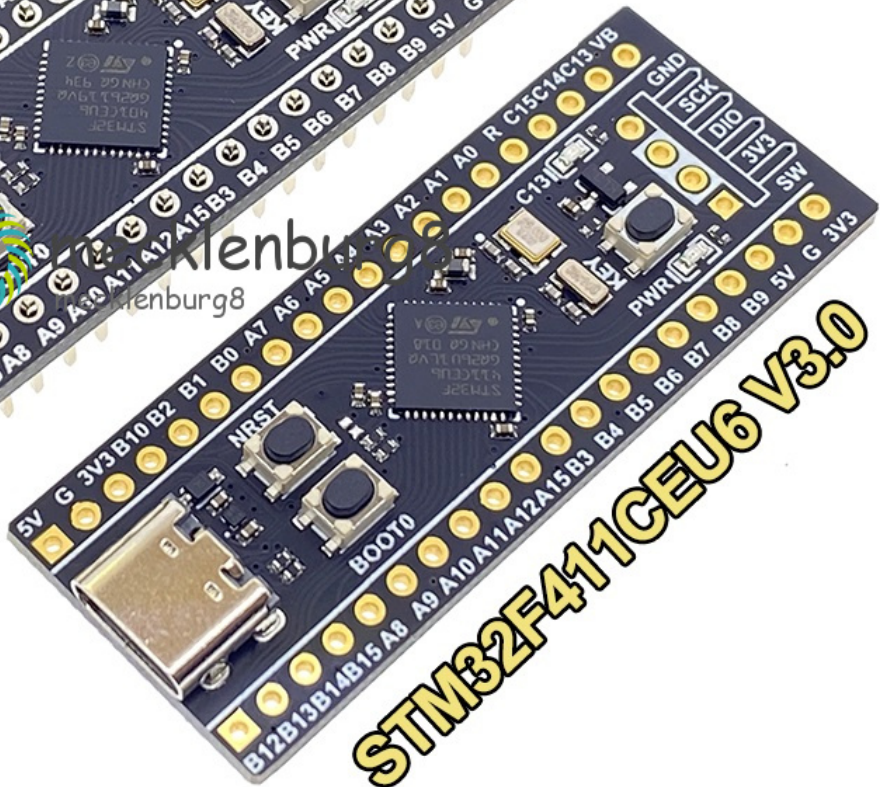
STM32F411CEU6 V3.0



STM32F401CEU6 V3.0



STM32F411CEU6 V3.0



Compared with STM32F401CCU6 core board, STM32F411CEU6 core board has larger

memory, better performance and faster running speed.

STM32F401CCU6 core board

Data link: <https://github.com/WeActTC/MiniF4-STM32F4x1.git>

Why choose 401?

In the F401 series, the chip is the cheapest, even cheaper than some F1, and crushed F1 on the main frequency, and has a floating-point arithmetic module, the IO port contains all the basic functions. Therefore, it is possible to provide a learning platform with a very high cost performance for beginners. In practical applications, it is not because the computing power is insufficient, and the IO port is incomplete and hinders development.

25MHZ high speed crystal oscillator 32.768k low speed crystal oscillator

STM32F401CCU6 core board 64KB RAM 256KB ROM

BOOT settings are changed from jumper to button to reduce the installation trouble by pressing

BOOT0 and NRST, releasing NRST to access serial port download, DFU download, providing ST official multi-in-one STM32 Cube Programmer burning software.

The GND is changed to 5V B9 5V GND, which can directly connect a small steering gear without additional wiring and reduce development time.

Previous versions of the sole can not be welded to the foot, no impact.

STM32F411CEU6 core board 128KB RAM 512KB ROM

Link: <https://pan.baidu.com/s/1vW9H-q9C5n2yVAEp38pw5A>

Password: GXNX

1. 25MHZ high speed crystal oscillator & 32.768Khz 6PF low speed crystal oscillator
2. Flash pads are reserved, providing USBDisk&&FATFFS routines
3. Jumper cap can be used directly without installation. BOOT0 internal 10K resistance pull-down

4. Factory has burned breathing lamp &&USBCDC test procedures.

5. Provide available MicroPython firmware, configuration files

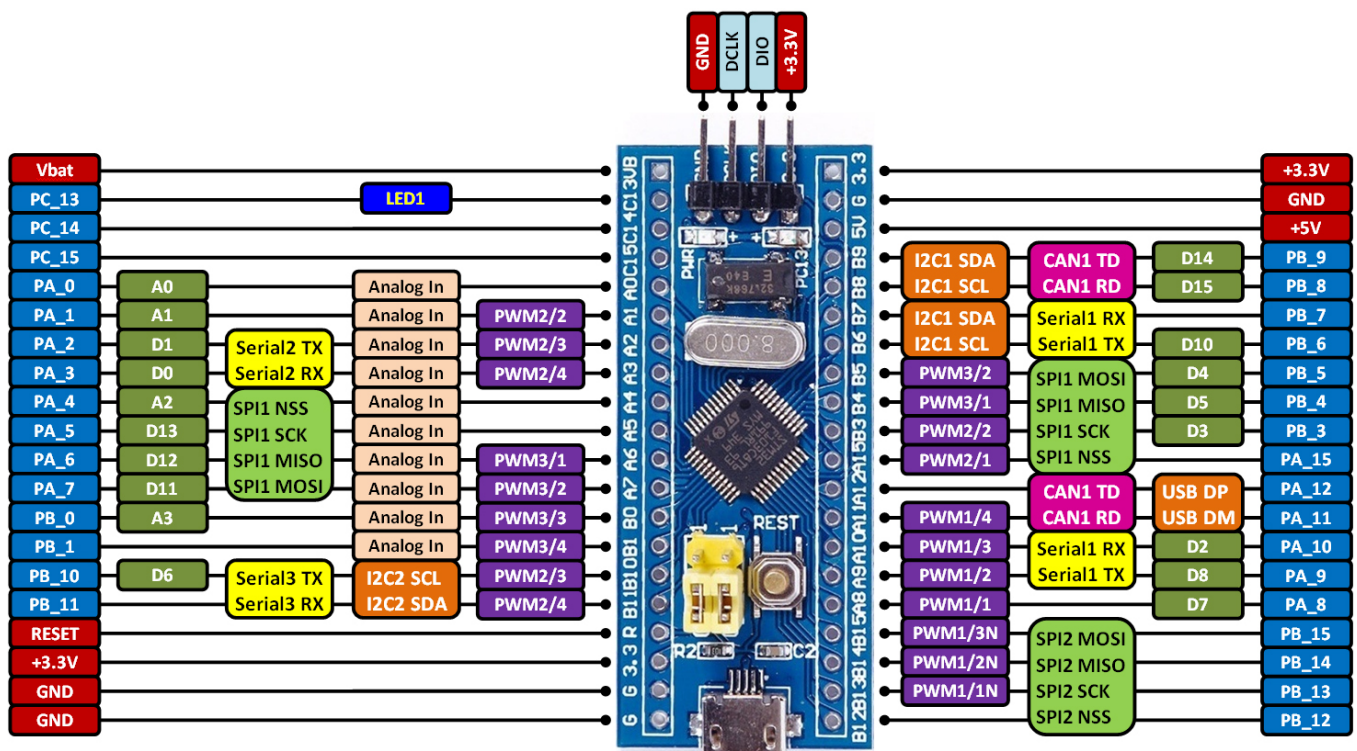
6. Adjust the direction of the jumping cap if it cannot be installed. Because the jump cap is wide on one side and narrow on the other.

7. V1.3 board with 3 buttons: reset key, BOOT0 key and user button.

V1.3 serial download and DFU download: connect to PA9 and PA10 (connect to usb in DFU mode) by pressing BOOT0 key and reset key, and then release the reset key. After 0.5 seconds, release the BOOT0 key to enter serial download or DFU download. The corresponding software is flymcu or CubeProg.

Jump cap version download: BOOT0 connect to high, BOOT1 connect to high, enter the serial port to download or DFU download, the software is the same as above.

Pinout



Product Gallery

