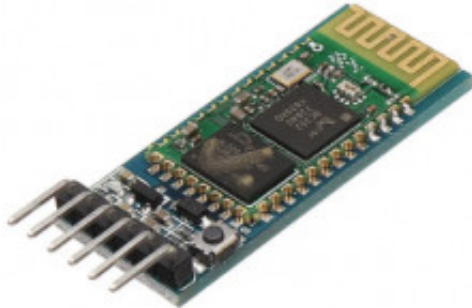


# HC 05 Bluetooth master JY-MCU Kopier



**Produktkode:** 214aa  
**Tilgjengelighet:** 7  
**Custom Field 5 (Location):** X3

**Pris: kr. 75,00**

## Short Description

HC-05 Wireless Bluetooth RF Transceiver Module serial RS232 TTL for arduino

## Beskrivelse

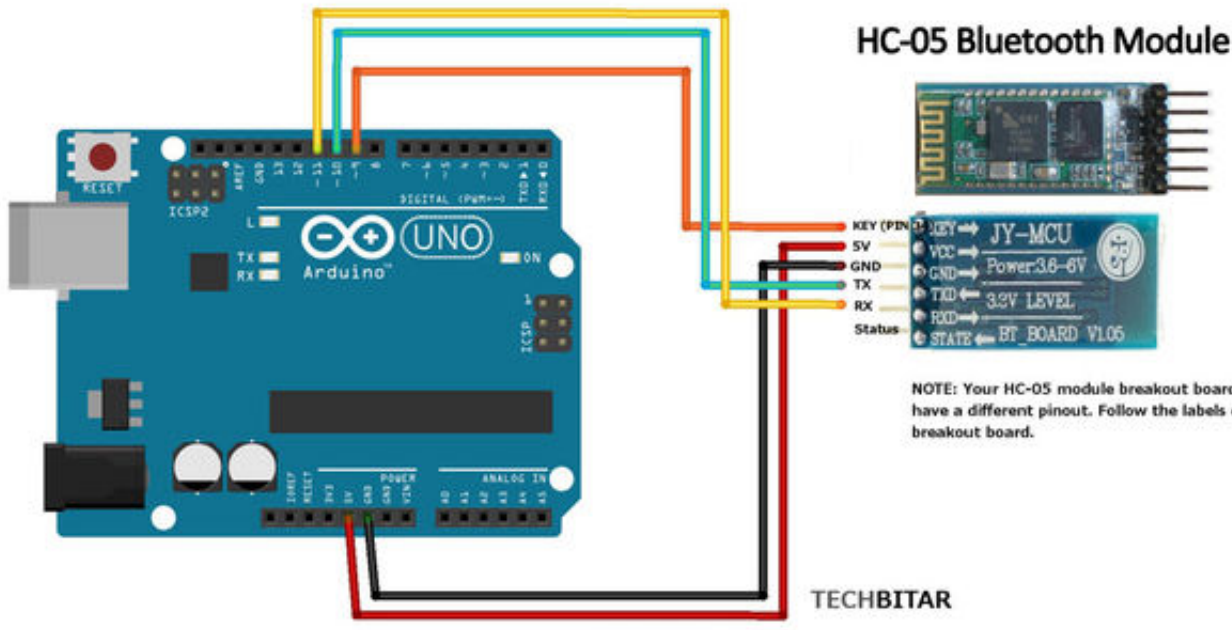
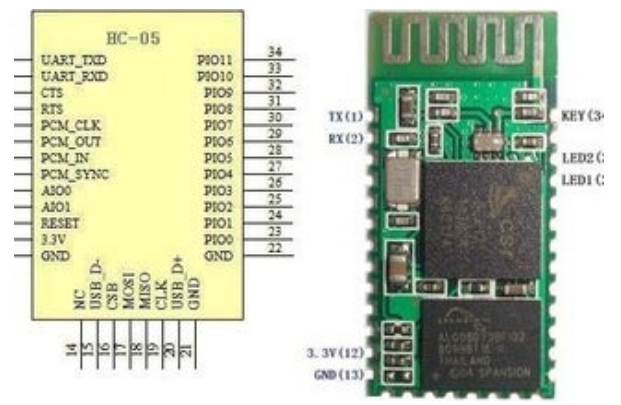
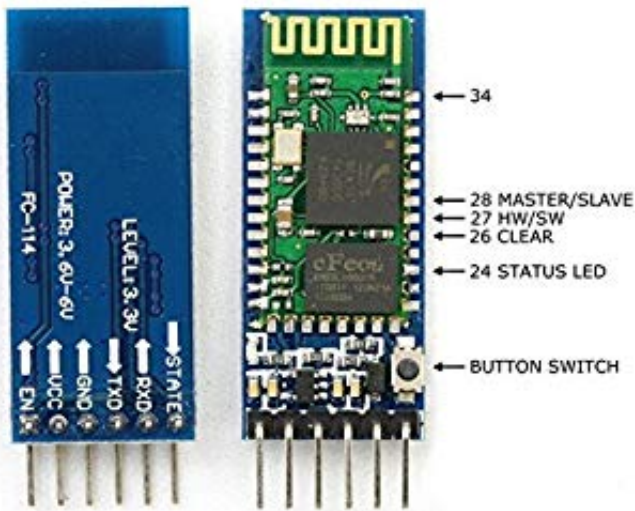
[HC-05 Wireless Bluetooth RF Transceiver Module serial RS232 TTL for arduino NEW](#)

## Product Description

**Input voltage: 6V--4.5V ,Default Baud Rate: 9600**

## Pinout

# HC-05 FC-114

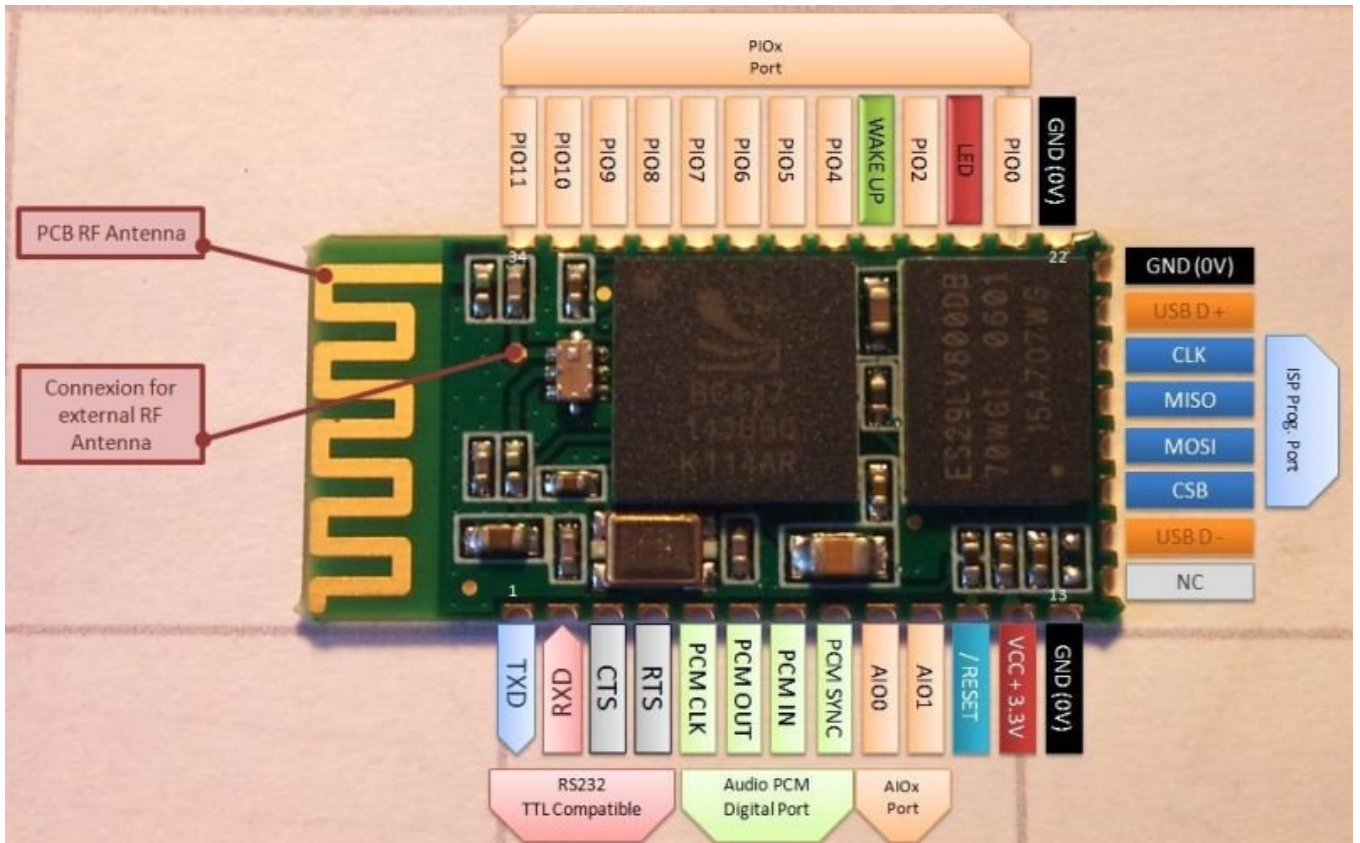


## HC-05 Bluetooth Module



NOTE: Your HC-05 module breakout board may have a different pinout. Follow the labels on the breakout board.

TECHBITAR



driver

<https://github.com/topics/bluetooth-arduino>

## Product Gallery

HC-05



