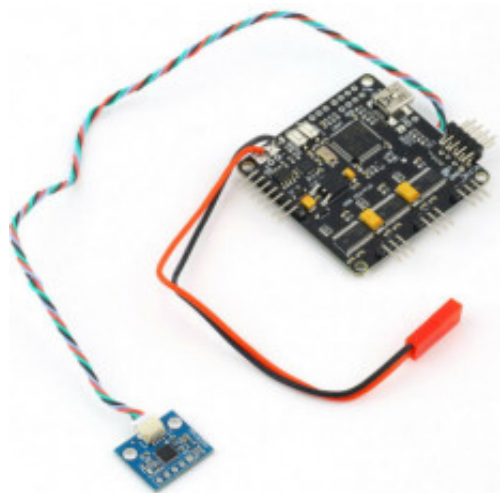


Storm32 BGC 32Bit 3-Axis Brushless Gimbal Controller



Produktkode: 750

Tilgjengelighet: Opp til 1 mnd leveringstid

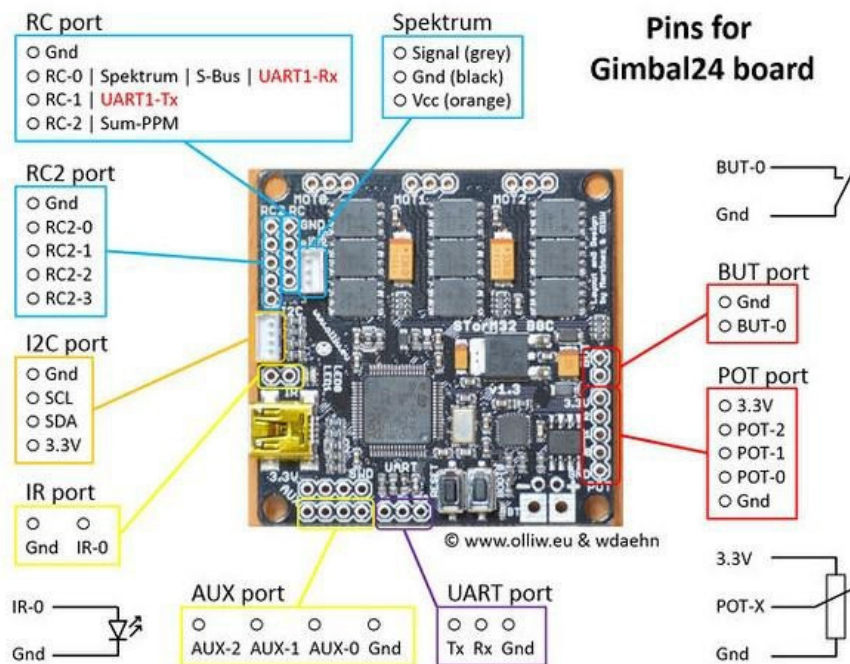
Pris: kr. 460,00

Short Description

Storm32 BGC 32Bit 3-Axis Brushless Gimbal Controller V1.31 DRV8313 Motor Driver

Beskrivelse

Hardware connection diagram



Explanation:

MOTO: Connection pitch (pitch) Motor

MOT1: Connection roll (roll) Motor

MOT2: Connection YAW (direction) Motor

RC PORT: Remote control port, during normal operation, RCO-2 can be accessed by the 3-way pwm signal as a control used when updating the firmware RCO = UART-RX RC1 = UART-TX, SPEKTRUM, S-BUS signal is connected RC-0

RC2 PORT: RC20-3 can connect up to four-way pwm signal as a control use.

I2C PORT: Then the camera's sensor

I2C PORT #2: I2C board on the back of 2 # connect external sensors using alternative imu on the motherboard.

IR PORT: Contact infrared light-emitting diode, you can remote control the camera at Sony.

USB□: 0.46 firmware can be used later usb transfer parameters directly connected to the computer.

- Processor: STM32F103RC at 72Mhz
- Motor driver: DRV8313 with short circuit, overheat protection
- Onboard gyro and acceleration sensor MPU6050
- IR LED Interface
- Futaba S-BUS
- Spektrum satellite port
- 7CH PWM/Sum-PPM input/output
- Each axis could connect analog joystick
- With I2C port, could use external 6050 to replace onboard sensor
- 3* AUX port

Specifications:

- Power supply: 9-18V(3-4S)
- Drive current: Max.1.5A
- Dimension: 5-5cm, M3 screw hole, 45mm pitch
- Weight: 10g

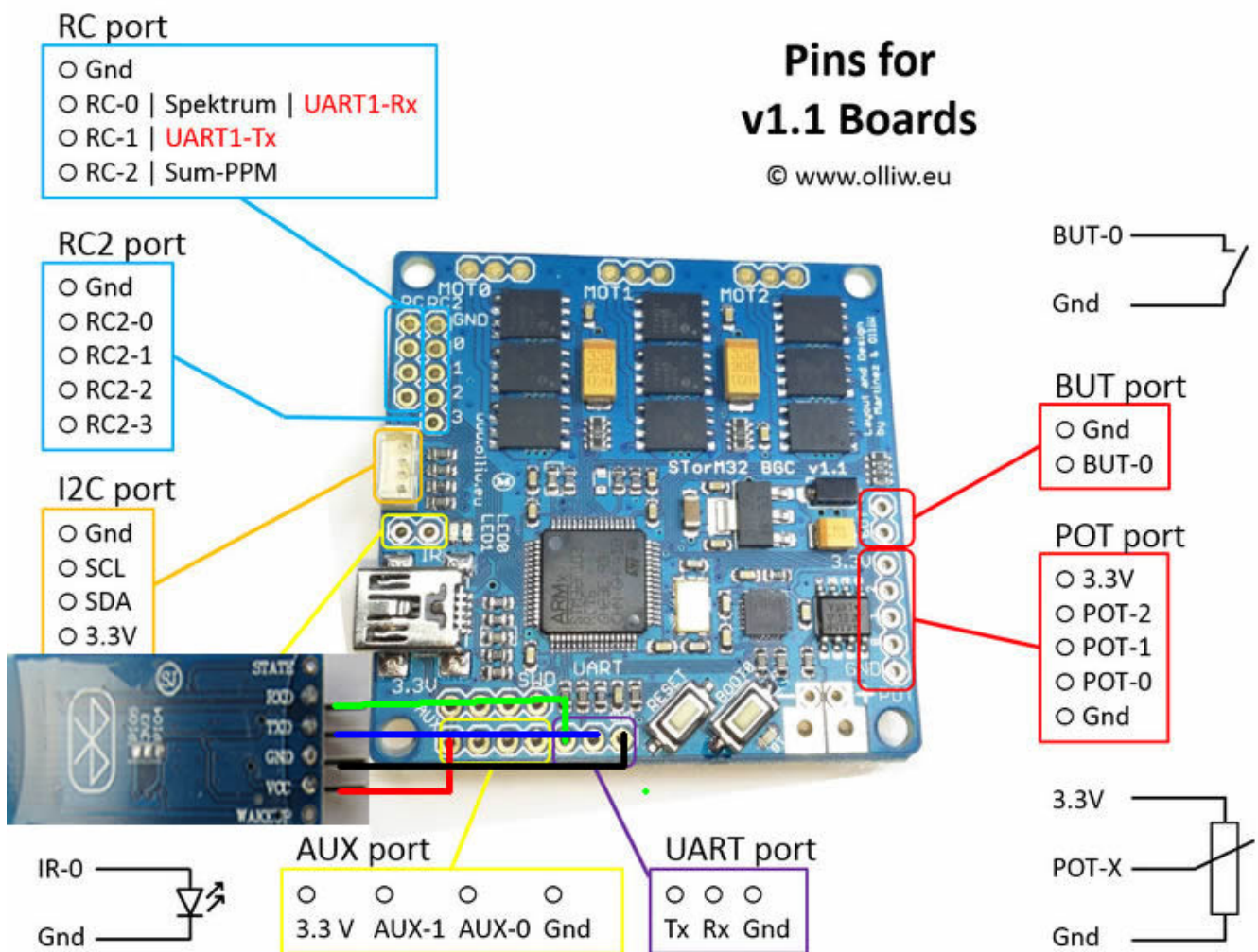
package including:

100% Brand new.

1 x Strom32 3-Axis gimbal controller DRV8313 Driver

1 x Sensor

Pinout



Koble til Pixhawk

{source}<iframe width="560" height="315"
src="https://www.youtube.com/embed/N1Aqi8RRpk4"
title="YouTube video player" frameborder="0"
allow="accelerometer; autoplay; clipboard-write; encrypted-

media; gyroscope; picture-in-picture"
allowfullscreen></iframe>{/source}

Product Gallery

