

# Arduino Pro Mini atmega328 Board 5V 16M Compatible Nano



**Produktkode:** 105  
**Tilgjengelighet:** 7  
**Custom Field 5 (Location):** m10

**Pris: kr. 65,00**

## Short Description

Arduino Pro Mini atmega328 Board 5V 16M Compatible Nano

## Beskrivelse

### Description

1. Arduino-compatible Board. New.
2. ATmega328 running at 16MHz with external resonator (0.5% tolerance)
3. USB connection off board
4. Supports auto-reset
5. Max 150mA output
6. Over current protected

7. Reverse polarity protected

8. DC input 5V up to 12V

9. On board Power and Status LEDs

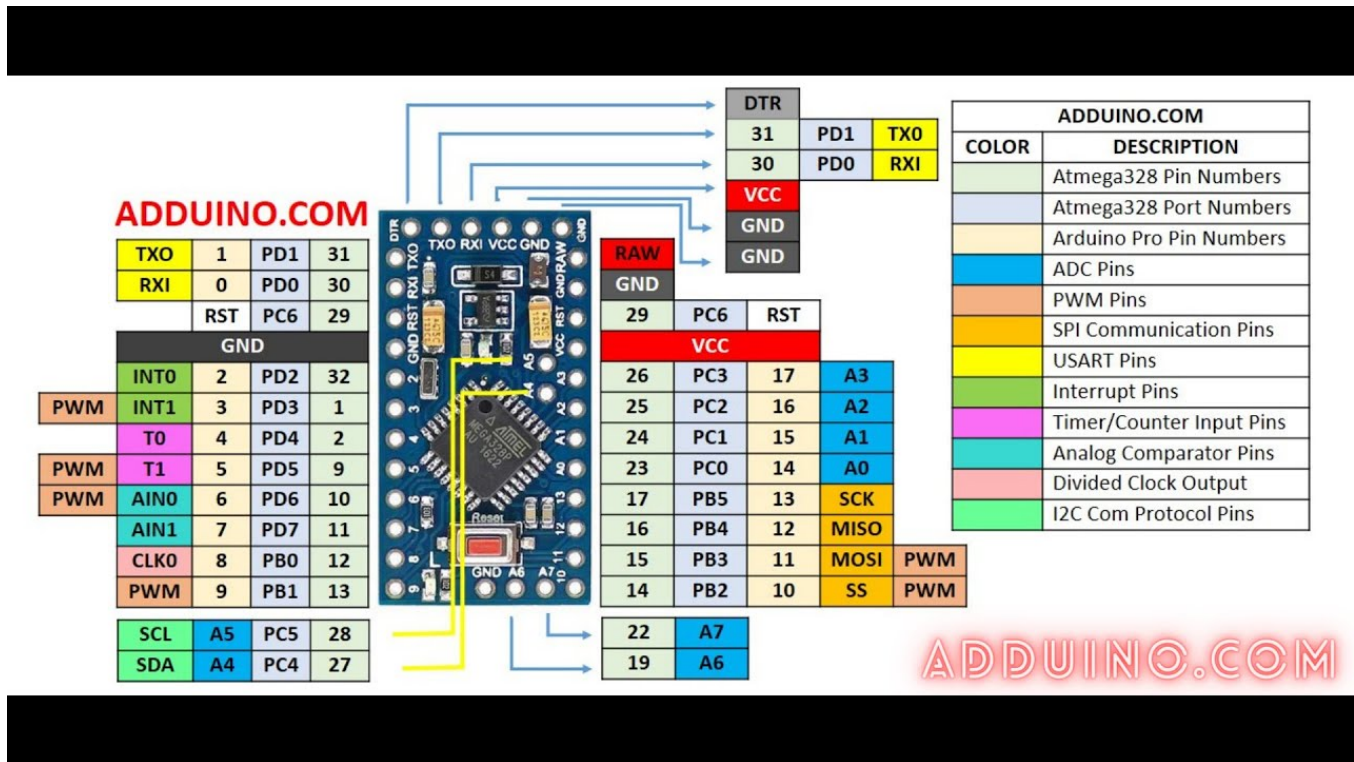
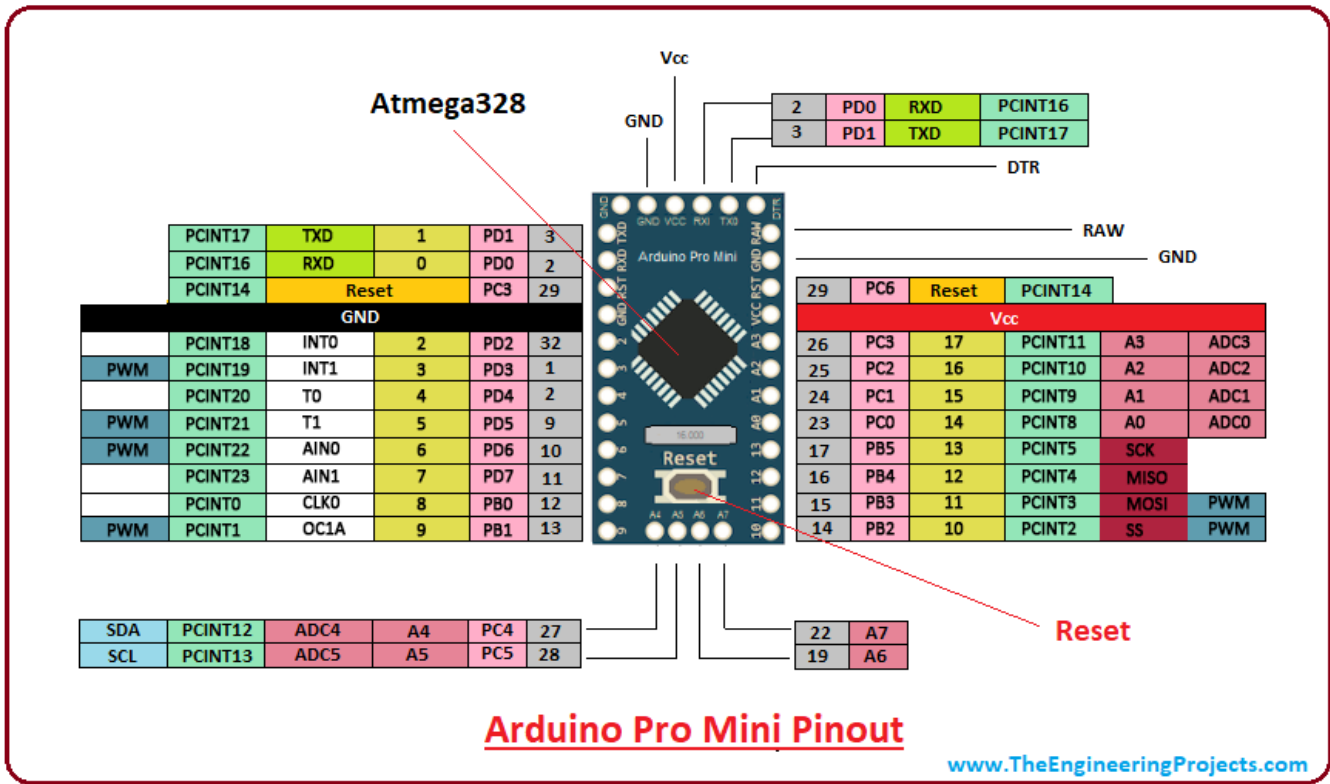
10. Size:(Long)33mm \*(wide)18 mm \*(high)6mm

Package Content

A: 1PCS Arduino pro min atmega328p board

B: 3PCS Gilded Pin

**Pinout**



Product Gallery

